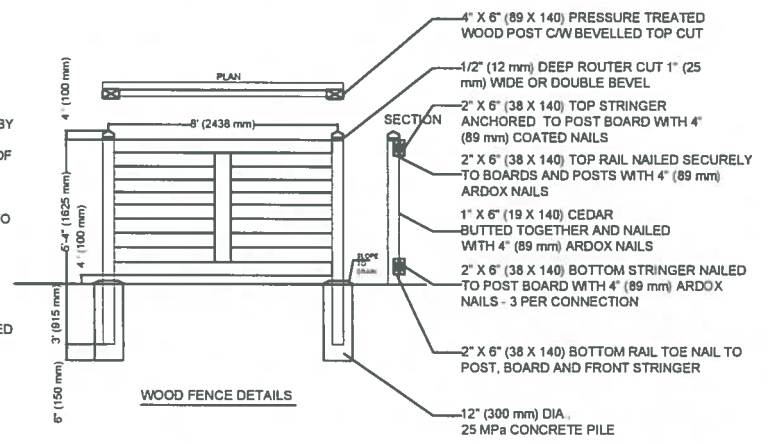


NOTES

- ALL WOOD MEMBERS TO BE PRE-STAINED WITH 2 COATS STAIN COLOR TO BE APPROVED BY THE OWNER
- FINAL COVERAGE AND QUALITY OF STAIN TO BE APPROVED BY OWNER. CONTRACTOR SHALL SUBMIT FINISHED PRODUCT SAMPLE FOR APPROVAL PRIOR TO STAINING. CONTRACTORS UNIT PRICE SHALL INCLUDE ALL NECESSARY ADJUSTMENTS AND REVISIONS AS REQUIRED TO OBTAIN OWNER AND CITY APPROVAL.
- ALL CUT MEMBERS TO BE STAINED IN FIELD
- FENCE TO BE LOCATED WITHIN PROJECT PROPERTY LINES.



REVISIONS		
NO.	DESCRIPTION	DATE
1	PERMIT	2022-02-20
2	PERMIT	2022-12-15
3		
4		

SEAL:

JUCHENG
DEVELOPMENT LTD

4252 OAKVIEW CLOSE
VICTORIA, BC V8N 6M8
250-813-2335

CLIENT NAME
LUOYA HUANG,
2771 MURRAY DR.,
SAANICH, BC

PROJECT NAME
NEW GARDEN SUITE,
2771 MURRAY DR., SAANICH, BC

SHEET TITLE
ELEVATIONS

PROJECT NO
#2022.02.02

DESIGN **Jianxiang Zhai**
APPROVE **Dr. Y. Shi**

SCALE
AS NOTED

DATE
2022/02/20

DRAWING NO.
A4.0

