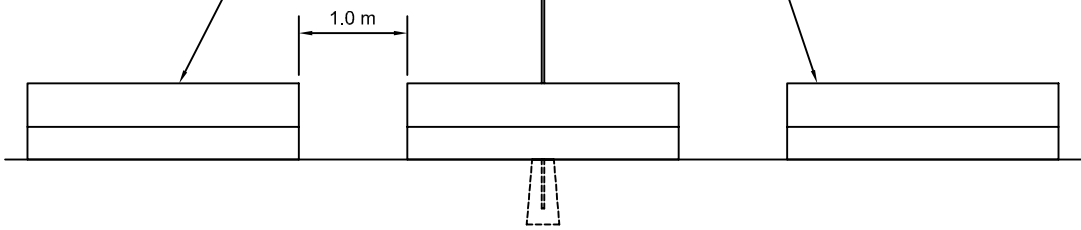


ALTERNATIVE 1

CONCRETE BARRIERS.
MOTH 690mm CRB-E OR
APPROVED EQUAL.

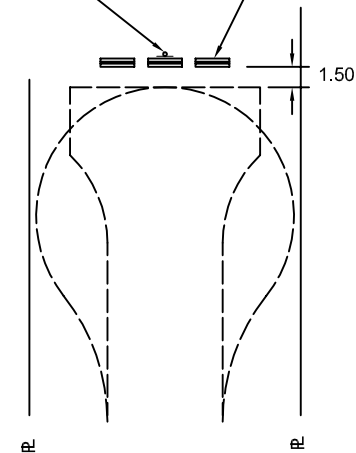
ROAD FACE OF ALL CONCRETE
BARRIERS TO BE PAINTED YELLOW
(TYP).



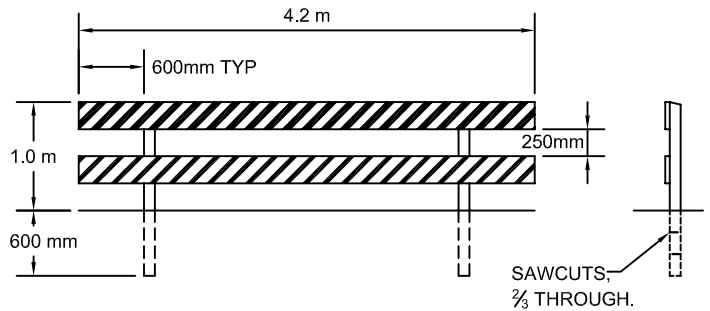
ALTERNATIVE 2 (MUST BE
APPROVED BY FIRE CHIEF)

CONCRETE BARRIERS AS REQUIRED TO
PREVENT VEHICLE ACCESS.

CHECKERBOARD SIGN
MUTCD WA-8.



TYPICAL BARRICADE LOCATION



BREAKAWAY BARRICADE DETAIL

NOTES:

1. POSTS - 100 x 100 CEDAR
2. RAILS - 250 x 25 mm FIR
3. PAINT RAILS WITH BLACK AND REFLECTORIZED YELLOW STRIPES, 150 mm WIDE. PAINT POSTS YELLOW.