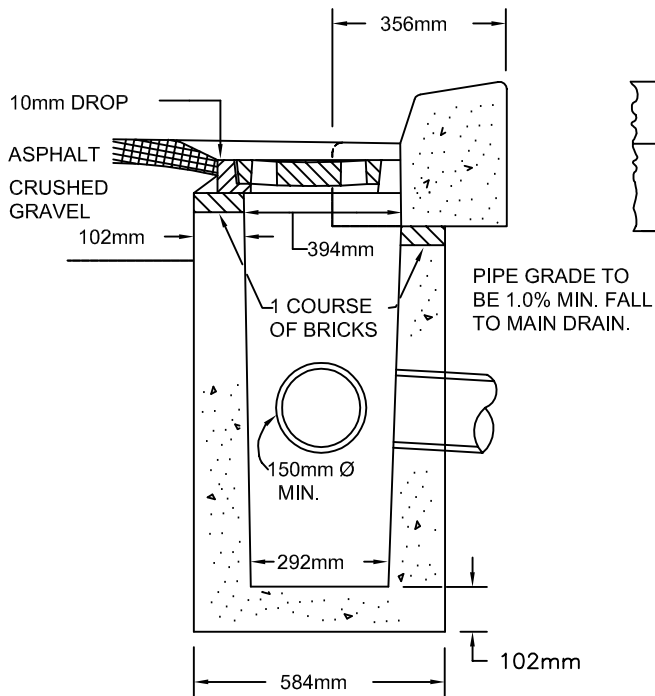
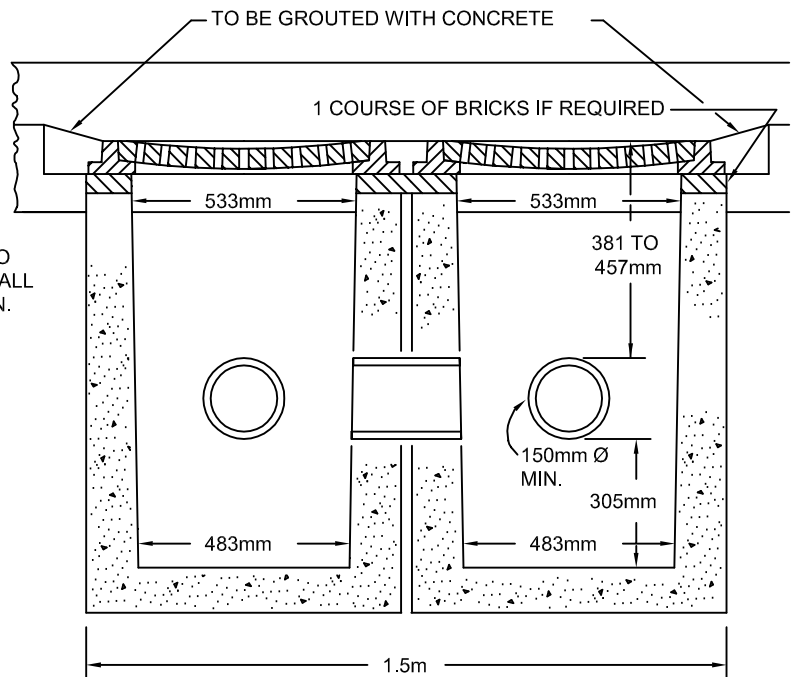


A



SECTION A-A



SECTION B-B

NOTES:

1. FOR CATCH BASIN GRATE AND FRAME SEE STD DWG S22SS.

Double Catch Basin

Revision Date:
October 2003

Drawing Number:
S20SS