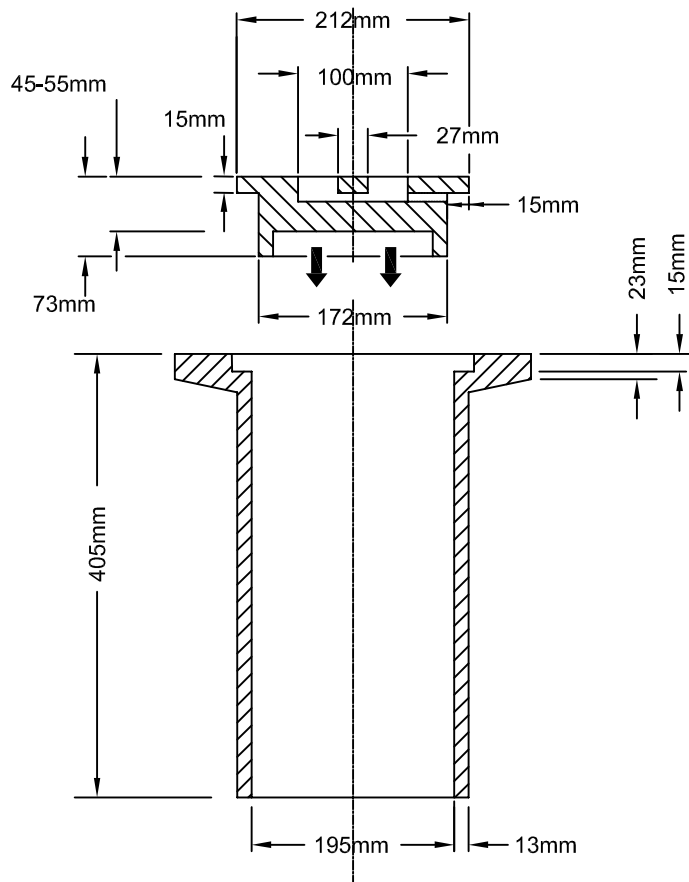


PLAN



SECTION

NOTES:

1. LID TO BE FLUSH WITH, OR 1-2mm BELOW VALVE BOX.
2. ALL DIMENSIONS ARE ± 2 mm, EXCEPT WHERE NOTED.
3. MATERIAL: CAST IRON